

NOTES, UNLESS OTHERWISE SPECIFIED:

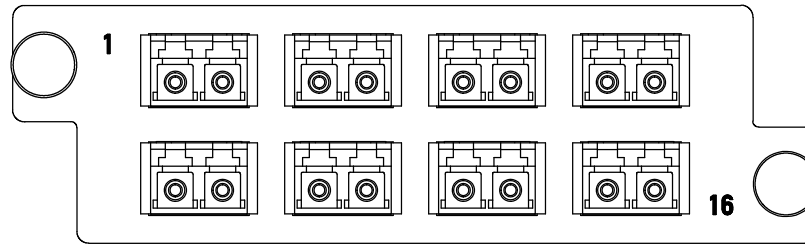
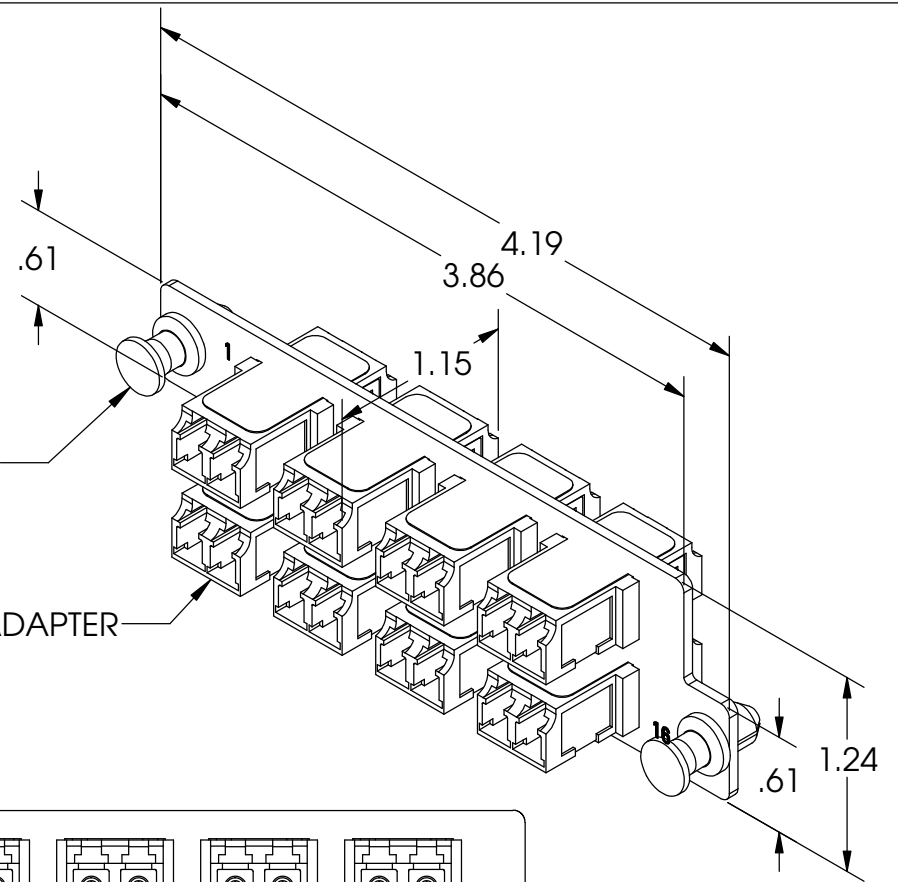
1. DUST CAPS ARE PROVIDED INSTALLED.
2. DIMENSIONS ARE IN INCHES.
3. THE "A" IN THE PART NUMBER "HDFP-LCD16AC-X" DESIGNATES THE ADAPTER KEYING TYPE IN ACCORDANCE WITH TABLE 1.
4. THE "X" IN THE PART NUMBER "HDFP-LCD16AC-X" DESIGNATES THE ADAPTER COLOR IN ACCORDANCE WITH TABLE 2.


"A"	KEYING TYPE
Y	HYBRID
Z	KEYED

"X"	COLOR
A	ROSE
B	WHITE
C	YELLOW
D	RED
E	ORANGE
F	VIOLET
G	GRAY
H	BLUE
J	BROWN
K	AQUA
L	MAGENTA
M	GREEN
U	BLACK

PLUNGER AND GROMMET
2 PLACES

(8) LC DUPLEX ADAPTER



<p>*** NOTICE *** THIS DOCUMENT CONTAINS CONFIDENTIAL AND/OR PROPRIETARY INFORMATION INTENDED FOR USE ONLY BY THE INDIVIDUAL(S) PROVIDED. NEITHER THIS DOCUMENT, NOR ANY INFORMATION CONTAINED HEREIN, MAY BE COPIED, DISTRIBUTED, DISCLOSED TO ANY THIRD PARTY OR USED IN ANY MANNER OTHER THAN FOR WHICH IT HAS BEEN PROVIDED, WITHOUT THE PRIOR WRITTEN CONSENT OF LEGRAND, INC. MANUFACTURING RELEASE, PRODUCT SPECIFICATIONS AND STANDARDS ARE SUBJECT TO CHANGE WITHOUT NOTICE.</p>					<p>WWW.LEGRAND.US</p>	
<p>TITLE</p> <p>LC DUPLEX PANEL ASM, M4 FOOTPRINT, 16 FIBER</p>						
	NAME	DATE	SIZE	CAD FILE	DWG_NO	REV
DWN	TK	4/18/2019	A	HDFPLCD16ACXC	HDFP-LCD16AC-X	01
CHK	RJG	4/18/2019	SCALE 1:1		SHEET 1 OF 1	
APPR	RH	9/4/2019				