

## Flush Carpet Plates Cat. Nos. 428 and 433 Series INSTALLATION INSTRUCTIONS

Installation Instruction No.: 1 000 206 R2 – Updated June 2007

Wiremold / Legrand electrical systems conform to and should be properly grounded in compliance with requirements of the current National Electrical Code or codes administered by local authorities.

All electrical products may present a possible shock or fire hazard if improperly installed or used. Wiremold / Legrand electrical products may bear the mark as UL Listed and/or Classified and should be installed in conformance with current local and/or the National Electrical Code.

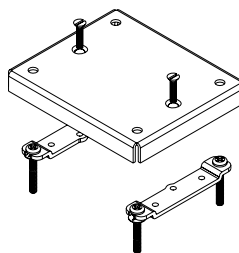
**IMPORTANT: Please read all instructions before beginning.**

1. If preset is not exposed, see instructions on page two for concrete, mudcap and knockout removal.
2. Install link strap using the enclosed self tapping screws to posts in preset as shown in diagram. Heads of screws should be slightly below concrete pour level.
3. Install UL Listed devices if needed to adapter plate. For Catalog No. 428DR or 428DR2, receptacle screws must be removed. Use screws from hardware bag to attach receptacle to plate.
4. Adjust screws until adapter plates are flush with finished floor.
5. Secure adapter plate to link straps using (2) #10 x 3/4 flat head screws.

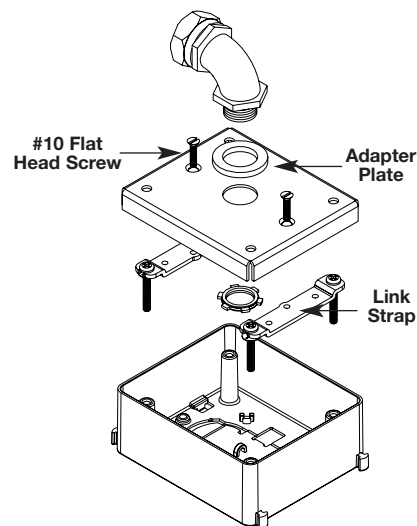
**NOTE: To maintain proper ground continuity, tighten screws to a minimum 10 inch pounds.**

6. For 433 Series attach cover plate to duplex receptacle.
7. For 428B525 attach base plate of service fittings to adapter plate.

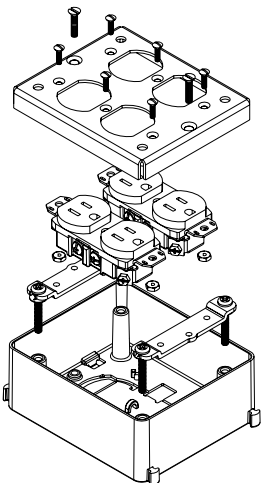
Cat. No.428BL



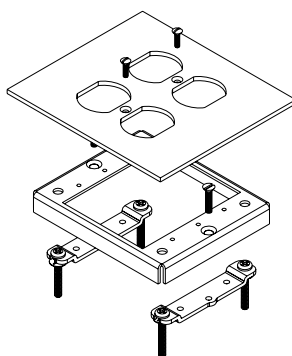
Cat. No. 428B075



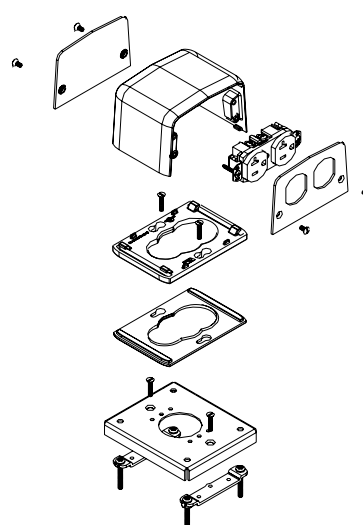
Cat. No. 428DR or 428DR2 (Shown)



Cat. No.433DR or 433DR2 (Shown)



Cat. No. 428B525



## ®Walkerduct Pro Series Presets:

1. Use a Walker insert finder (Cat. No. 480) or other electronic locator to find center of preset. Cut and remove carpeting or tile over preset. (Carpet may be saved for later abandoning.) Chip out concrete exposing mudcap.

**NOTE:** If presets are more than 1/2" [12.1mm] below concrete, use of a hammer drill with 1/2" chisel is recommended. **BE CAREFUL NOT TO DAMAGE PRESET!**

### 2. Remove Mudcap: (See Figure 1).

- A. Strike blade of screwdriver or 1/4" [6.4mm] cold chisel along side of mudcap as shown. Top edge of mudcap will deflect inward.
- B. Pry out cap with screwdriver by positioning blade between preset wall and deflected edge of mudcap or, use pliers to grab edge of cap and lift out. **Remove all debris from preset.**
- C. Grout around opening if concrete does not break away cleanly.

### 3. Remove Knockout: (See Figure 2).

- A. Insert a wire hook into arched opening at center of preset. This will prevent knockout from falling into the raceway.
- B. Insert screwdriver blade into opening in base of preset. Push screwdriver toward center of preset, breaking tabs. Position screwdriver into opening on other side of knockout and break tabs to release knockout. **Remove all debris from raceway.**

**CAUTION:** Some sharp edges may occur along knockout tabs. These must be deburred.

4. **IMPORTANT!** Tighten bonding screw in base of preset with **No. 3 Phillips screwdriver.**

Figure 1

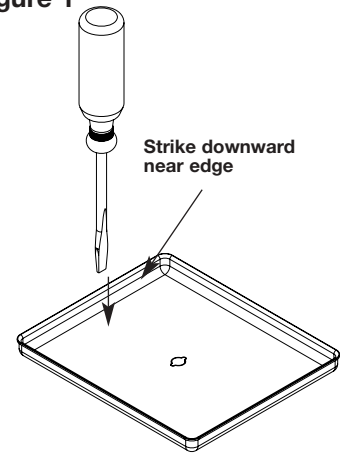
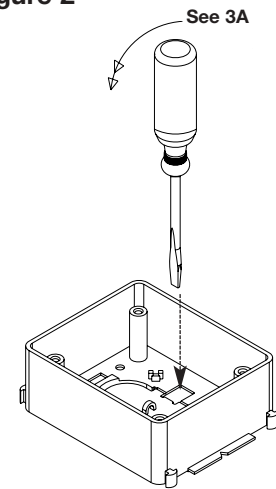


Figure 2



# WIREMOLD

 legrand®

Wiremold / Legrand

U.S. and International:

60 Woodlawn Street • West Hartford, CT 06110

1-800-621-0049 • FAX 860-232-2062 • Outside U.S.: 860-233-6251

Canada:

850 Gartshore Street • Fergus, Ontario N1M 2W8

1-800-741-7957 • FAX 519-843-5980

