



## Walker® Infloor Systems

# S20ADP

## Preset Adapter

### INSTALLATION INSTRUCTIONS

Walker® electrical systems conform to and should be properly grounded in compliance with requirements of the current National Electrical Code or codes administered by local authorities.

All electrical products may present a possible shock or fire hazard if improperly installed or used. Walker electrical products may bear the mark as UL Listed and/or Classified and should be installed in conformance with current local and/or the National Electrical Code.

#### Products Covered: S20ADP

1. Using a flathead screwdriver or chisel, remove all excess concrete from the bottom of the preset (see Figure 1).
2. Align adapter with the top opening of the preset (see Figure 2).
3. Using a hammer, tap the adapter until it sits flush with the bottom of the preset. **Do not trap ground wire below adapter** (see Figure 3).
4. Place four adjusting screws in the slots in the adapter (see Figure 4).
5. Place trim flange over adapter and align the four mounting holes in the flange to the four adjusting screws in the adapter (see Figure 5).
6. Tighten flange to adapter using a narrow blade flathead screwdriver. **Do not over tighten flange. Tighten until flange is snug to carpet or tile surface** (see Figure 6).

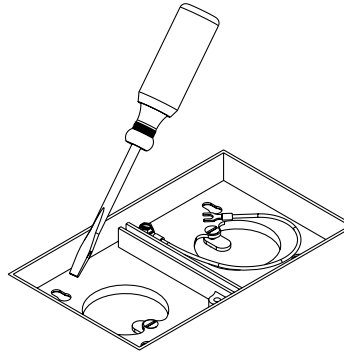


Figure 1

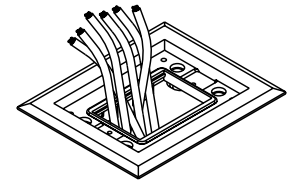


Figure 2

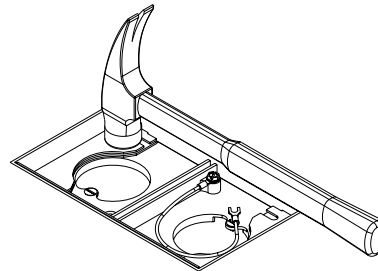


Figure 3

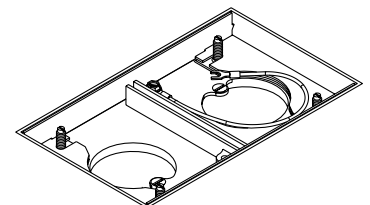


Figure 4

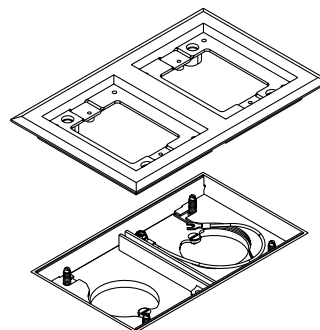


Figure 5

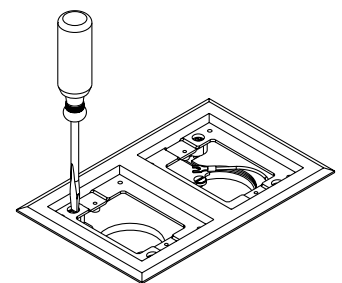


Figure 6

